

TKG WOODANG PRODUCTS GUIDE



Head

FUSIBLE LINK TYPE SPRINKLER HEAD

It is designed and manufactured as a high-strength integrated product, and it prevents foreign substances from outside to ensure stable performance in the event of fire. It is a product that improved the issues of conventional sprinkler heads with outstanding shock resistance and air tightness

When the fusible link thermal element melts (ruptures), the deflector is exposed and the fire extinguisher is sprayed on to the designated area according to the deflector shape.

Patent 10-1047028-0000/Patent 10-1040075-0000

GLASS BULB TYPE SPRINKLER HEAD

In the event of fire, the thermal element sealed with liquid such as alcohol and glycerin, in a glass ball ruptures (melts), causing the pressurized fire extinguisher to be sprayed by the deflector on to the designated area.

Pendent Type
Quick Response Type

FLUSH PENDENT HEAD (COMMERICAL)

* Close Type (Fusible Link), #15

/Korea Fire Institute inspection goods

Product Feature

- A quick response type sprinkler head with fast response time index (RTI).
- High-end sprinkler head ideal for hotels, officetel and apartments, with superior aesthetics and high-quality gloss finish, and with low risk of damaging due to minimum protrusions after ceiling finish installation.

► QR : Quick Response Type (Effective Spray Radius r2,6)



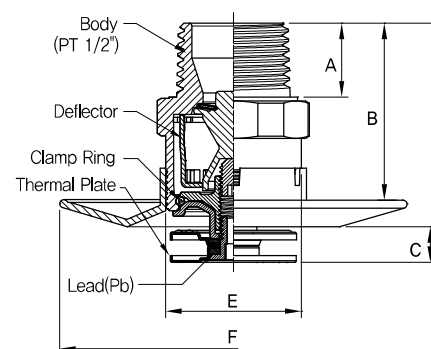
ASFPQ-072



ASFPQ-105

Model Number	ASFPQ-072	ASFPQ-105
Operating Temperature	72°C	105°C
Caution Temperature	39°C	67°C
Response Type	Quick Response (QR)	
Spray Direction	Pendent	
Thread Size	PT 1/2" (15A)	
Flow Volume	80 l/min	
Operating Temperature (Frame Color)	72°C (Silver)	105°C (White)

A	B	C	D	E	F
15.2	34	6.6	45.7	Ø25.4	Ø65



Pendent Type
Standard Response Type

FLUSH PENDENT HEAD (COMMERCIAL)

* Close Type (Fusible Link), #15

/Korea Fire Institute inspection goods

Product Feature

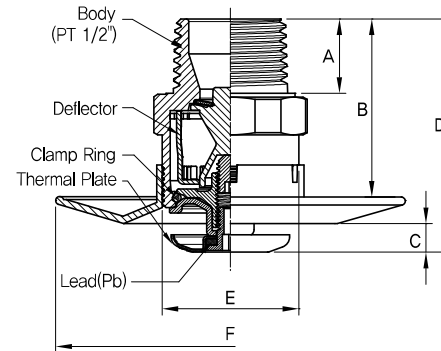
- Standard response sprinkler is a sprinkler head uses special alloy finished fused metal, which the fuse metal melts at operating temperature and drops down. This causes the internal deflector to automatically protrude and spray water.

▶ SR : Standard Response Type (Effective Spray Radius r2,6)



ASFPS-072
ASFPS-105

Model Number	ASFPS-072	ASFPS-105			
Operating Temperature	72°C	105°C			
Caution Temperature	39°C	67°C			
Response Type	Standard Response Type (QR)				
Spray Direction	Pendent				
Thread Size	PT 1/2" (15A)				
Flow Volume	80 l / min				
Operating Temperature (Frame Color)	72°C (Silver)	105°C (White)			
A	B	C	D	E	F
15,2	34	5,3	44,3	Ø25,4	Ø65



Pendent Type

FLUSH PENDENT HEAD (RESIDENTIAL)

* Close Type (Fusible Link), #15

/Korea Fire Institute inspection goods

Product Feature

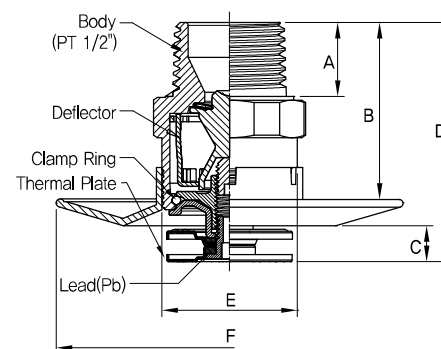
- It has minimum protrusions after ceiling finish installation which lead to low risk of damage, and its superior aesthetics and high-quality gloss finish make it ideal for public spaces (simple sprinkler equipment).

▶ QR : Quick Response Type



ASKFQ-072
ASKFQ-105

Model Number	ASKFQ-072	ASKFQ-105			
Operating Temperature	72°C	105°C			
Caution Temperature	39°C	67°C			
Response Type	Quick Response Type (QR)				
Spray Direction	Pendent				
Thread Size	PT 1/2" (15A)				
Flow Volume	50 l / min				
Operating Temperature (Frame Color)	72°C (Silver)	105°C (White)			
A	B	C	D	E	F
15,2	34	6,6	45,7	Ø25,4	Ø65



FUSIBLE LINK TYPE SPRINKLER HEAD

Side Wall Type
Quick Response Type

FLUSH SIDEWALL HEAD (HORIZONTAL)

* Close Type (Fusible Link), #15

/Korea Fire Institute inspection goods

Product Feature

- Fusible-link thermal element has low risk of leaking due to external shock, and it features a latch spring that helps thermal element detachment in the event of fire.

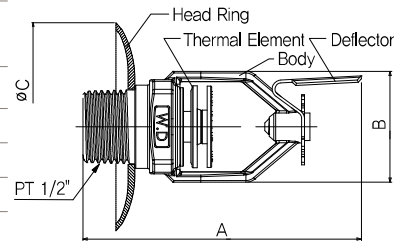


ASFWQ-072



ASFWQ-105

Model Number	ASFWQ-072	ASFWQ-105
Operating Temperature	72°C	105°C
Caution Temperature	39°C	67°C
Response Type	Quick Response Type (QR)	
Spray Direction	Side Wall Type(Horizontal Sidewall)	
Thread Size	PT 1/2" (15A)	
Flow Volume	80 l /min	
Operating Temperature (Frame Color)	72°C (Silver)	105°C (White)



A	B	C
80.3	32	Ø80

ESCUTCHEON

NON-COMBUSTION/FRAME RETARDANT ESCUTCHEON [HEAD RING]



PENDENT TYPE [WET PIPE]
(NON-COMBUSTION)
_Acquisition of KFI

Item	NON-COMBUSTION		FRAME RETARDANT	
	PENDENT TYPE [WET PIPE]	PENDENT TYPE [WET PIPE]	SIDE WALL TYPE [WET PIPE]	SIDE WALL TYPE [DRY PENDENT]
Shape	ONE BODY TYPE	ONE BODY TYPE	MULTI BODY TYPE	MULTI BODY TYPE
Size	Φ70*Φ25,6*8,0(HEIGHT)	Φ65*Φ25,4*10,9(HEIGHT)	Φ80*Φ24,3*4,5(HEIGHT)	Φ80*Φ28,5*12(HEIGHT)
Material	CR (COLD ROLLED STEEL SHEET)	FR ABS (FRAME RETARDANT PLASTIC)		
Color	WHITE(POWDER COATING)		WHITE	
Acquisition of KFI	해부24-2			



PENDENT TYPE [WET PIPE]
(FRAME RETARDANT)



SIDE WALL TYPE [WET PIPE]
(FRAME RETARDANT)



SIDE WALL TYPE [DRY PENDENT]
(FRAME RETARDANT)

Elbow Type
Quick Response Type

FLUSH ELBOW-DRY PENDENT HEAD

* Closed Type (Fusible Link), #25 r2,6, DRY Pendent(Elbow Type)

/Korea Fire Institute inspection goods

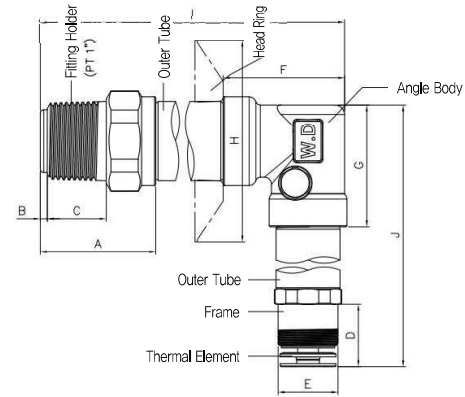
Product Feature

- The Elbow Type structure does not break the piping during installation, so it has a strong advantage in preventing freezing and bursting due to residual water, and the problem of water spraying problems such as ventilation units when installing the existing side wall type head has been improved.
- The spring tension operation structure enables



ADFAQ-072
ADFAQ-105

Model Number	ADFAQ-072	ADFAQ-105
Operating Temperature	72°C	105°C
Response Type	Quick Response Type(QR)	
Spray Direction	Elbow Type(Pendent Type)	
Flow Volume	80 l /min	
Flow Volume	PT 1 " (25A)	
Length	Width : 150~800L	Length : 150~800L



A	B	C	D	E	F	G	H	I	J
49	3	25	27.7	25.4	52.5	52	Ø80	150~800	150~800

Pendent Type
Standard/Quick Response Type

FLUSH DRY PENDENT HEAD

* Closed Type (Fusible Link), #25, r2,6

/Korea Fire Institute inspection goods

Product Feature

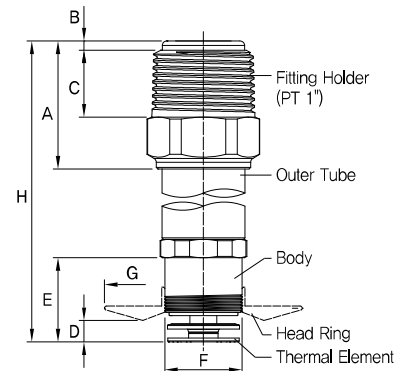
- Installed at locations with risk of freeze and burst, and product length can be adjusted according to the site.
- When the fusible link thermal element melts (ruptures), it causes the deflector to be exposed and fire extinguishing water is sprayed according to the deflector shape on to the designated area.



ADFPQ-072
ADFPQ-105

ADFPS-072
ADFPS-105

Model Number	ADFPS-072	ADFPS-105	ADFPQ-072	ADFPQ-105
Operating Temperature	72°C	105°C	72°C	105°C
Caution Temperature	39°C	67°C	39°C	67°C
Response Type	Standard Response Type (SR)		Quick Response Type (QR)	
Spray Direction	Pendent			
Thread Size	PT 1 " (25A)			
Flow Volume	80 l /min			
Operating Temperature (Frame Color)	72°C (Silver)	105°C (White)	72°C (Silver)	105°C (White)



A	B	C	D	E	F	G	H
42	3	22	7	28	Ø25,4	65	120~1,500

※ Length (H): 120~1,500/Residential Type Length (H): 200~500

GLASS BULB TYPE SPRINKLER HEAD

Side Wall (Horizontal) Type
Quick Response Type

FLUSH DRY SIDEWALL HEAD (HORIZONTAL)

* Closed Type (Fusible Link), #25

/Korea Fire Institute inspection goods

Product Feature

- Installed at locations with risk of freeze and burst, and product length can be adjusted according to the site.
- When the fusible link thermal element melts (ruptures), fire extinguishing water is sprayed according to the deflector shape on to the designated area.

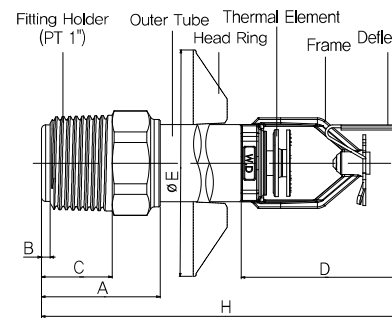


ADHWQ-072



ADHWQ-105

Model Number	ADHWQ-072	ADHWQ-105
Operating Temperature	72°C	105°C
Caution Temperature	39°C	67°C
Response Type	Quick Response Type (QR)	
Spray Direction	Side Wall Type(Horizontal Sidewall)	
Thread Size	PT 1" (25A)	
Flow Volume	80 l /min	
Operating Temperature (Frame Color)	72°C (Silver)	105°C (White)



A	B	C	D	E	H
42	3	22	57	Ø80	120~1,500

※ Length (H): 120-1,500

Upright Type
Standard/Quick Response Type

GLASS BULB TYPE (UPRIGHT)

* Closed Type (Glass Bulb), #25, r2,3

/Korea Fire Institute inspection goods

Product Feature

- It is a product installed on structures without ceilings or underground parking lots



ASBUS-068



ASBUS-093

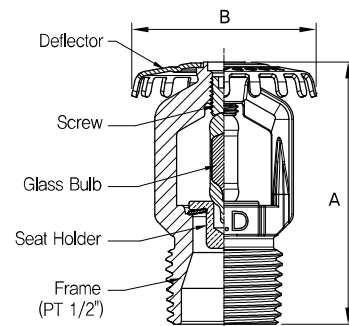


ASBUQ-068



ASBUQ-093

Model Number	ASBUS-068 ASBUQ-068	ASBUS-093 ASBUQ-093
Operating Temperature	68°C	93°C
Caution Temperature	39°C	56°C
Response Type	Standard Response Type (SR)	
Spray Direction	Upright Type	
Thread Size	PT ½" (15A)	
Flow Volume	80 l /min	
Operating Temperature (Frame Color)	68°C (Red)	93°C (Green)



	A	B
ASBUS-068	47,5	Ø33,5
ASBUS-093		

Pendent Type
Standard/Quick Response Type

GLASS BULB TYPE (PENDENT)

* Closed Type (Glass Bulb), #15, r2,3

/Korea Fire Institute inspection goods

Product Feature

- It is a product with simple glass ball structure containing alcohol and glycerin, and it has excellent reliability.



ASBPS-068



ASBPS-093

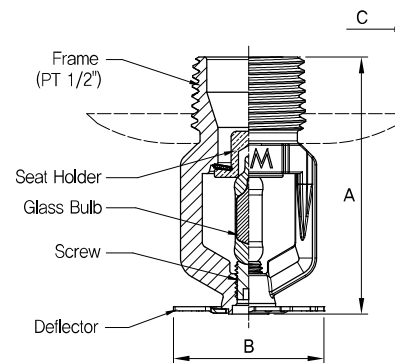


ASBPQ-068



ASBPQ-093

Model Number	ASBPS-068 ASBPQ-068	ASBPS-093 ASBPQ-093
Operating Temperature	68°C	93°C
Caution Temperature	39°C	56°C
Response Type	Standard Response Type (SR) / Quick Response Type (QR)	
Spray Direction	Pendent	
Thread Size	PT 1/2" (15A)	
Flow Volume	80 l/min	
Operating Temperature (Glass Bulb Color)	68°C (Red)	93°C (Green)
A	B	C
47.5	Ø28	Ø60



Pendent Type
Standard Response Type

GLASS BULB TYPE (DRY/PENDENT)

* Closed Type (Glass Bulb), #15, r2,3

/Korea Fire Institute inspection goods

Product Feature

- Installed at locations with risk of freeze and burst, and product length can be adjusted according to the site.
- In the event of fire, the thermal element sealed with liquid such as alcohol and glycerin, in a glass ball ruptures causing the pressurized fire extinguisher to be sprayed by the deflector on to the designated area.



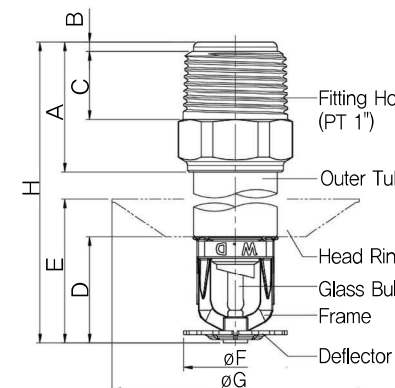
ASBPS-068



ASBPS-093

Model Number	ASBPS-068	ASBPS-093					
Operating Temperature	68°C	93°C					
Caution Temperature	39°C	56°C					
Response Type	Standard Response Type (SR)						
Spray Direction	Pendent Type						
Thread Size	PT 1" (25A)						
Flow Volume	80 l/min						
Operating Temperature (Glass Bulb Color)	68°C (Red)	93°C (Red)					
A	B	C	D	E	F	G	H
42	3	22	34	46.5	Ø33.5	Ø80	120~1,500

※ Length (H) : 120~1,500



K115

GLASS BULB TYPE (LARGE ORIFICE) UPRIGHT/PENDENT

Product Feature

– It is a product installed on warehouse or plant site, and a waterproof capacity is 115 LPM



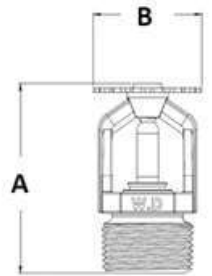
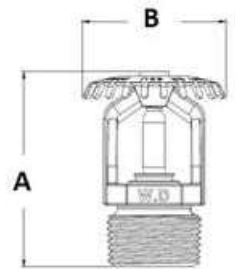
Upright Type



Pendent Type

Model Number	ASLPS-068	ASLPS-093
Title Standard	20A (PT/NPT)	
Operating Temperature	68°C	93°C
Caution Temperature	39°C	56°C
Flow Volume	115 LPM	
Material	Frame	C3771BE
	Seat Holder&Screw	C3604BD
	Deflector	C2680

	A	B
ASBUS12068010007A	54.8	41
ASBUS12093010007A		
ASBPS12068010007A		32
ASBPS12093010007A		



K160

GLASS BULB TYPE (LARGE DROP) UPRIGHT/PENDENT

Product Feature

– It is a product installed on warehouse or plant site, and a waterproof capacity is 160 LPM



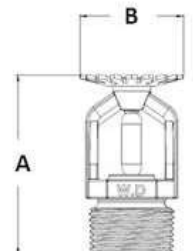
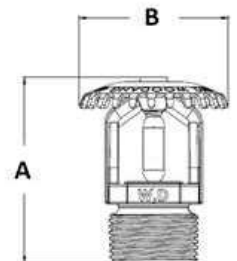
Upright Type



Pendent Type

Model Number	ASBUS-068	ASBUS-093
Title Standard	20A (PT/NPT)	
Operating Temperature	68°C	93°C
Caution Temperature	39°C	56°C
Flow Volume	160 LPM	
Material	Frame	C3771BE
	Seat Holder&Screw	C3604BD
	Deflector	C2680

	A	B
ASBUS12068010006A	54.8	44
ASBUS12093010006A		
ASBPS12068010006A		33
ASBPS12093010006A		



In-rack Type

GLASS BULB TYPE IN-RACK UPRIGHT HEAD

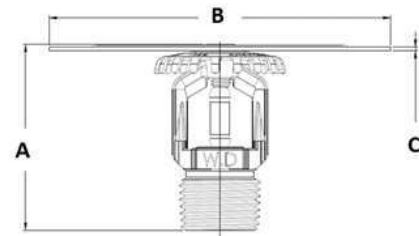
Product Feature

- This product is installed on the rack of the warehouse and protects the bulb from water spray in case of fire.



ASBUS12068010008A

Model Number	WDIR-068	
Operating Temperature	68°C	
Caution Temperature	39°C	
Flow Volume	80 LPM	
Material	Frame	C3771BE
	Seat Holder	C3604BD
	Deflector	STS304
	Water shield	SPCC (Ni-Cr Plating)
A	B	C
49	90	1



Open Type

OPEN TYPE SPRINKLER HEAD (UPRIGHT, PENDENT, SIDE WALL)

/Korea Fire Institute inspection goods

Product Feature

- Open type sprinkler head is a sprinkler head with a fully open water outlet and no thermal element.



ASOHX-15A



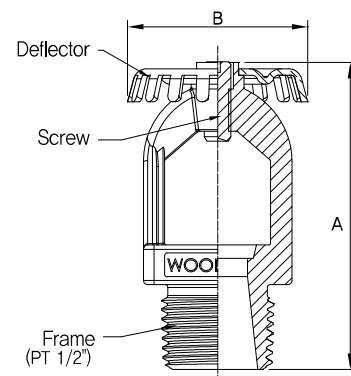
ASOUX-15A



ASOPX-15A

Model Number	ASOUX-15A	ASOPX-15A	ASOHX-15A
Spray Direction	Upright	Pendent	SideWall
Thread Size	PT 1/2" (15A)		
Flow Volume	80 l /min		

	A	B
ASOUX-15A	57,5	Ø34
ASOPX-15A	57,5	Ø33
ASOHX-15A	71,5	Ø30/43



SPECIAL HEADS

WATER SPRAY NOZZLE (Tunnel Extinguishing)

Product Feature

- It is able to quickly extinguish fire in tunnels environments, and it is capable of preventing the spread of fire.
- It is a tunnel fire extinguishing spray nozzle system that combines dual spray nozzles along the water supply pipes installed along the tunnel's inner wall, and it is installed on an even spacing to allow water to be sprayed from each side of the fire.
- In order to minimize the damage inflicted on people and vehicles inside the tunnel, the system forms a barrier of water around the fire to block the spread of fire and smoke created.

Model Number	ANSNO-0A1	ANSNO-0A2	ANSNO-0B1	ANSNO-0B2
Classification of Combinations	Tunnel A Type		Tunnel B Type	
	A1	A2	B1	B2
Nozzle Shape	Spiral Flow Type	Spiral Flow Type	Spiral Flow Type	Deflector Type
Height (mm)	64	96	45	96
Width (mm)	47	47	36	47
Material	NOZZLE (Brass) / BOX (GCD)			
Standard Waterproof Pressure	0.35MPa			
Spray Angle (°)	170	90	120	90
Flow Volume LPM(0.35MPa)	110	140	90	160
Effective Range (m)	5	10	6	11.5
Thread Size	PT 1" (25A)	PT 1" (25A)	PT ¾" (20A)	PT 1" (25A)



WATER SPRAY NOZZLE
(Extinguishment by Smothering, Cooling)

Product Feature

- This product is a custom order made product where the connection specification, pressure, spray angle and flow volume based on consumer demand.

Model Number	ANSNO-008~020
Material	NOZZLE (Brass)
Spray Angle (°)	Order Made
Connection Standard LPM(0.1MPa)	Order Made
Thread Size	PT ¼" (8A) ~ PT ¾" (20A) Order Made



Watering Head (Waterring Head)

Product Feature

- It is a head suited for open head equipment or high-temperature, high-pressure spraying which utilizes linear or spiral extinguishing water collision or spread in the event of fire.
- The application of stainless steel frame and deflector guarantees outstanding high-temperature, high-pressure spraying and heat resistance strength.



Model Number	AVWHO-015	AVWHO-020
Spray Direction	Pendent	
Connecting Bolt	PT 1/2" (15A)	PT 3/4" (20A)
Water Outlet Diameter	Ø 11,5	
Design Flow Volume	180 LPM (0,5MPa)	
Surface Treatment	Ni-Cr	
Body	Stainless Steel	
Height, Width	51,8 × 48	55 × 49,2

Drencher Head (Drencher Head)

Product Feature

- Drencher head creates a water curtain to isolate and protect important cultural assets, gas or combustible tanks of structures against flame or radiant heat, and it is also employed as fire blockers in areas where firewalls cannot be installed to prevent the spread of fire, smoke and toxic gases (also used as gas spray head or powder spray head).



Model Number	ANDHA-015	ANDHV-020
Spray Direction	Horizontal Type	Vertical Type
Connecting Bolt	PT 1/2" (15A)	
Design Flow Volume	80 LPM (0,1MPa)	
Material	Brass	
Surface Treatment	Ni-Cr	
Spray Angle	5° × 170°	5° × 120°
Height, Width	36, HEX 26	37, HEX 26

US Viking Type Product (UL, FM Approved (Viking/Sprinkler Head))



/Korea Fire Institute inspection goods

Model Number	LARGE ORIFICE	EXTRALARGE ORIFICE	HIGHCHALLENGE LAGEDROP	QUICK RESPONSE TYPE
	ASVUS-068	ASVUS-141	ASVUS-093	ASVPG-074
Operating Temperature	68°C	141°C	93°C	74°C
Caution Temperature	39°C	106°C	64°C	39°C
Frame Color	Red	Blue	Green	Fusible Link
Response Time Index	Standard Response Type			Quick Response Type
Spray Direction	Upright			Pendent
Connecting Bolt	PT 3/4" (20A)			
Water Outlet Diameter	Ø 13,7	Ø 15,9	Ø 16,5	Ø 17,8
Design Flow Volume (0,1MPa)	117 LPM	158 LPM	166 LPM	195 LPM
Height, Width	Frame - Brass casting			
Glass bulb	G5			-
Deflector	SSU, UL, FM		HIGHCHALL, UL, FM	ESFR, UL, FM

ALARM VALVE

FLANGE TYPE ALARM VALVE AVAC1

/Korea Fire Institute inspection goods

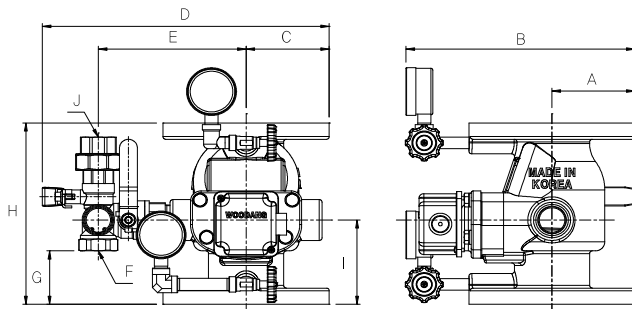
Product Feature

- It detects the movement of running water and sends a signal allowing accurate detection.
- Test valve, sight glass can be added to the drain valve as options significantly reducing the installation cost.
- Drain valve L/R type can be selected according to the pipe structure of the site.
- Application of Korean high-strength casted steel (GCD 450) ensures greater durability.
- Weight reduction allows easy handling.

Model Number	AVAC1 065~150
Title Standard	1MPa – 65A ~ 150A
Working Pressure Range	0.15 ~ 1.4MPa
Operation Method	Clapper Swing
Connection Standard	KS B 1511 1MPa FF Flange
Applicable Liquid	Water
Material	Body (GCD450 Ductile Casting)
	Disc/Sheet (GCD450/NBR)



● LEFT TYPE



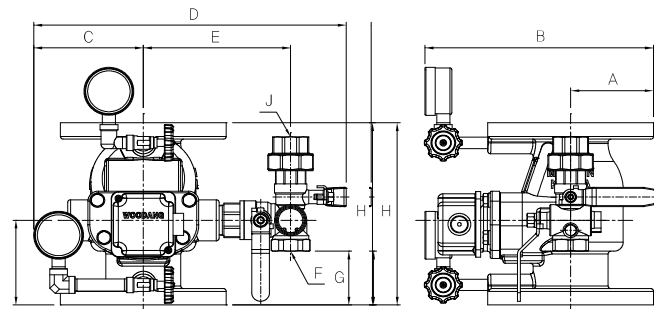
Model Number	A	B	C	D	E	F(DRAIN)	G	H	I	J	K	Pressure Loss	Drain Valve
AVAC10065	91	245	153	326	115	25A	42	200	76	25A	175	10,9kPa	U, L TYPE
AVAC10080	93	252	160	342	124	25A	52	220	86	25A	185	13,5kPa	
AVAC10100	105	277	167	356	131	25A	53	230	87	25A	210	10,9kPa	
AVAC10150	140	347	180	381	143	25A	68	260	102	25A	280	13,6kPa	

Model Number	A	B	C	D	E	F(DRAIN)	G	H	I	J	Pressure Loss	Drain Valve
AVAC10065	88	242	131	339	131	25A	36	200	76	175	10,9kPa	C, L TYPE
AVAC10080	93	252	138	355	124	25A	46	220	86	185	13,5kPa	
AVAC10100	105	277	131	369	145	25A	47	230	87	210	10,9kPa	
AVAC10150	88	242	116	339	131	25A	62	260	102	280	13,6kPa	

Drain Valve Option



● RIGHT TYPE



Model Number	A	B	C	D	E	F(DRAIN)	G	H	I	J	K	Pressure Loss	Drain Valve
AVAC10065	91	245	116	327	152	25A	42	200	76	25A	175	10,9kPa	U, R TYPE
AVAC10080	93	252	124	342	160	25A	52	220	86	25A	185	13,5kPa	
AVAC10100	105	277	131	356	167	25A	53	230	87	25A	210	10,9kPa	
AVAC10150	140	347	143	381	180	25A	68	260	102	25A	280	13,6kPa	

Model Number	A	B	C	D	E	F(DRAIN)	G	H	I	J	Pressure Loss	Drain Valve
AVAC10065	88	242	116	339	131	25A	36	200	76	175	10,9kPa	C, R TYPE
AVAC10080	93	252	124	355	138	25A	46	220	86	185	13,5kPa	
AVAC10100	105	277	131	369	145	25A	47	230	87	210	10,9kPa	
AVAC10150	140	347	143	394	158	25A	62	260	102	280	13,6kPa	

SEMI-GROOVED TYPE

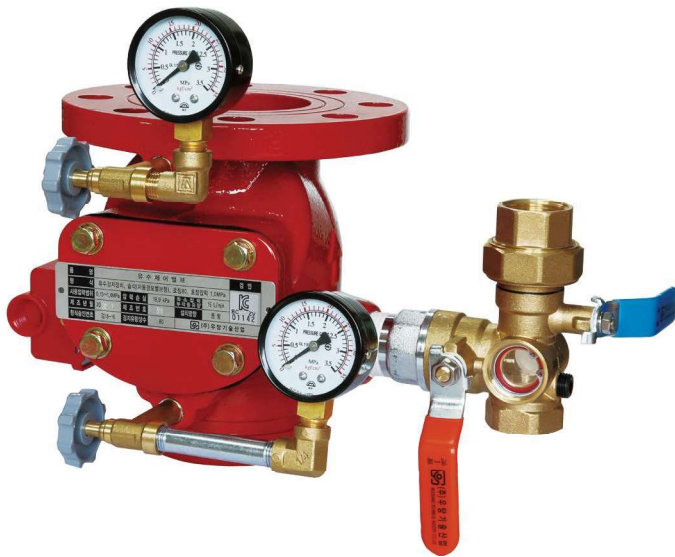
ALARM VALVE AVAE1

/Korea Fire Institute inspection goods

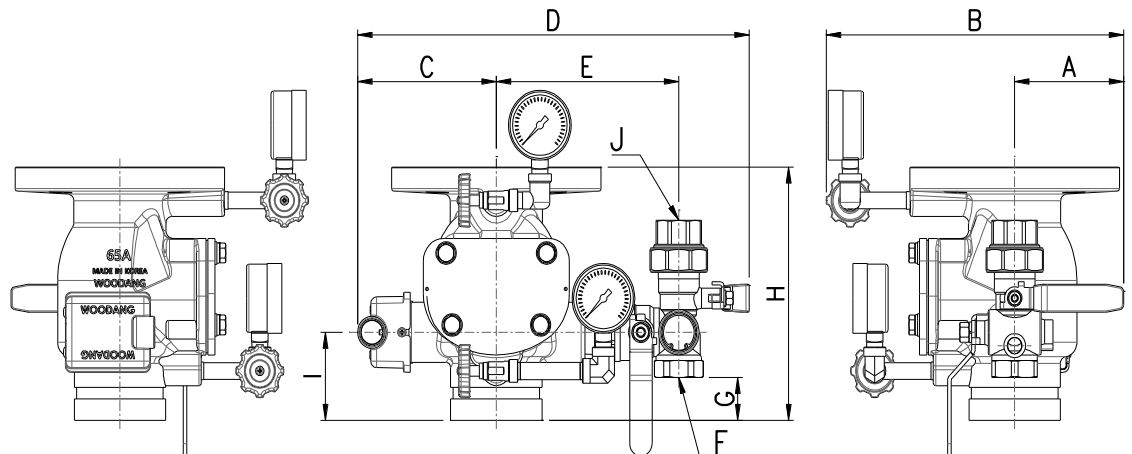
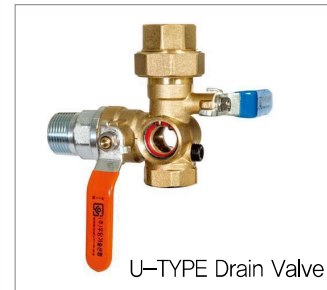
Product Feature

- It detects the movement of running water and sends a signal allowing accurate detection.
- Test valve, sight glass can be added to the drain valve as options significantly reducing the installation cost.
- Drain valve L/R type can be selected according to the pipe structure of the site.
- Application of Korean high-strength casted steel (GCD 450) ensures greater durability.
- Weight reduction allows easy handling.

Model Number	AVAE1 065~100
Title Standard	1MPa - 65A ~ 100A
Working Pressure Range	0.15 ~ 1.4MPa
Operation Method	Clapper Swing
Connection Standard	KS B 1511 1MPa FF Flange + KS B 1507 Grooved Joint
Applicable Liquid	Water
Material	Body (GCD450 Ductile Casting)
	Disc/Sheet (GCD450/NBR)



Drain Valve Option



Model Number	A	B	C	D	E	F(DRAIN)	G	H	I	Pressure Loss	Drain Valve
AVAE10065	88	245	116	340	131	25A	26	190	66	19.7 kPa	C TYPE
AVAE10080	93	255	124	355	138	25A	26	190	66	18.9 kPa	
AVAE10100	105	280	130	368	145	25A	32	210	72	16.1 kPa	

Model Number	A	B	C	D	E	F(DRAIN)	G	H	I	J	Pressure Loss	Drain Valve
AVAE10065	91	248	116	327	153	25A	32	190	66	25A	19.7 kPa	U TYPE
AVAE10080	93	255	124	342	160	25A	32	190	66	25A	18.9 kPa	
AVAE10100	105	280	130	355	167	25A	38	210	72	25A	16.1 kPa	

ALARM VALVE

FLANGE TYPE

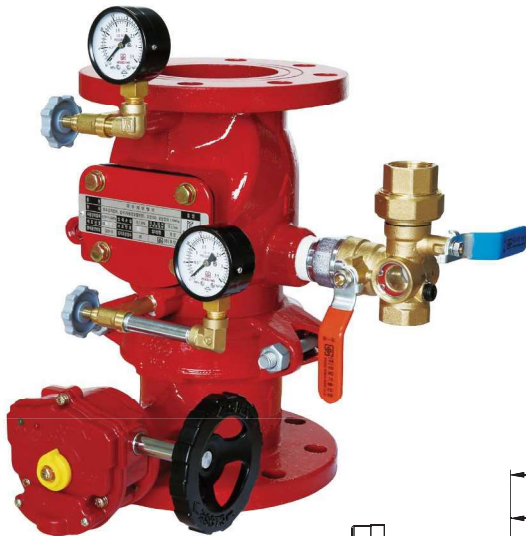
BUTTERFLY ALARM VALVE

Automatic Alarm Valve + Open/Close Display Type Valve (Gear Type AVAI1)

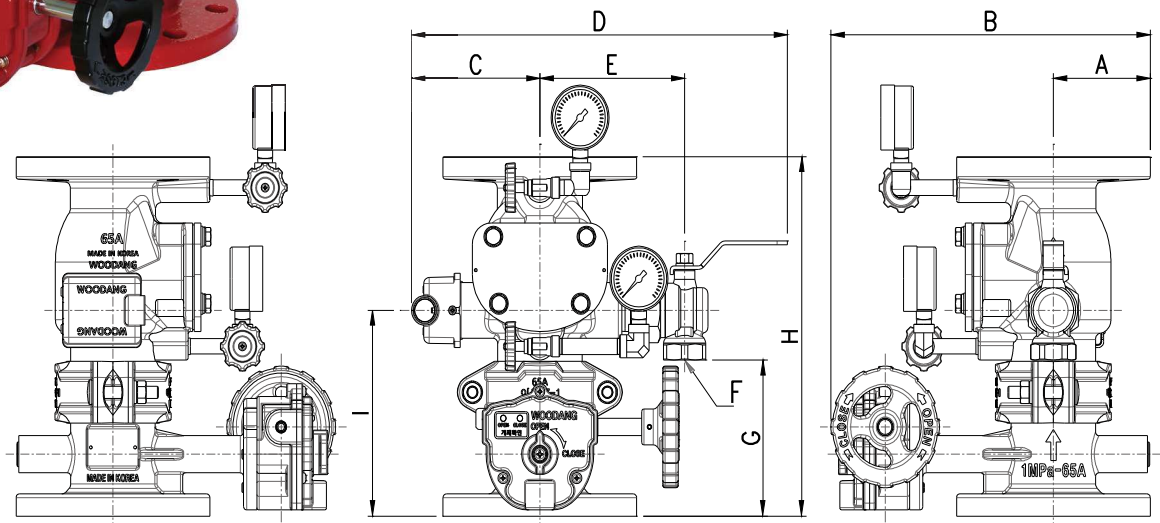
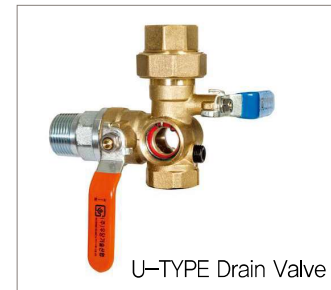
Product Feature

- It is able to reduce the material cost and installation cost such as pipes for short tubes and flanges.
- It features a tamper switch that creates electric signals according to the opening and closing of valves to allow convenient maintenance.
- It has minimum pressure loss with flow passage taking up 60% of the total surface area.
- As the valve is operated by gears, it is able to prevent disc dislocation due to water hammering within the pipe.
- Application of Korean high-strength casted steel (GCD 450) ensures greater durability.
- Weight reduction allows easy handling.

Model Number	AVAI1 065~100		
Title Standard	1MPa – 65A ~ 100A		
Working Pressure Range	0.15 ~ 1.4MPa		
Operation Method	Clapper Swing		
Connection Standard	KS B 1511 1MPa FF Flange		
Applicable Liquid	Water		
Material	Classification	Alarm Valve	Butterfly Valve
	Body	Body (GCD450 Ductile Cast)	
	Disc	GCD450	GCD450
	Sheet	NBR	



Drain Valve Option



Model Number	A	B	C	D	E	F(DRAIN)	G	H	I	Pressure Loss	Drain Valve
AVAI10065	88	288	116	340	131	25A	126	290	166	19.7 kPa	C TYPE
AVAI10080	93	301	124	355	138	25A	122	290	166	18.9 kPa	
AVAI10100	105	323	130	368	145	25A	147	325	187	16.1 kPa	

Model Number	A	B	C	D	E	F(DRAIN)	G	H	I	J	Pressure Loss	Drain Valve
AVAI10065	88	288	116	327	153	25A	132	290	166	25A	19.7 kPa	U TYPE
AVAI10080	93	301	124	342	160	25A	132	290	166	25A	18.9 kPa	
AVAI10100	105	323	130	355	167	25A	153	325	187	25A	16.1 kPa	

GROOVED TYPE

ALARM VALVE AVAG1

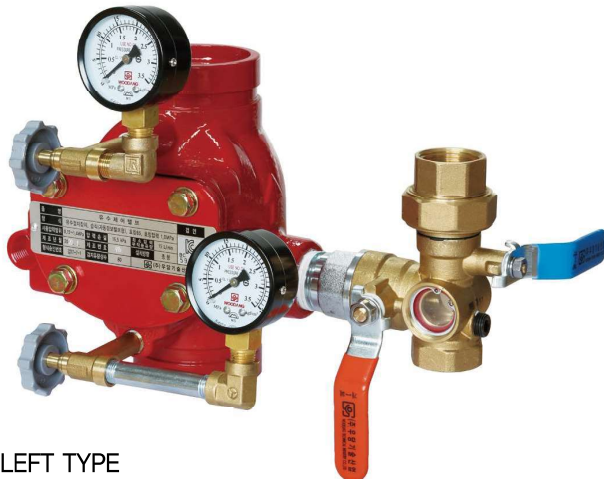
/Korea Fire Institute inspection goods

Product Feature

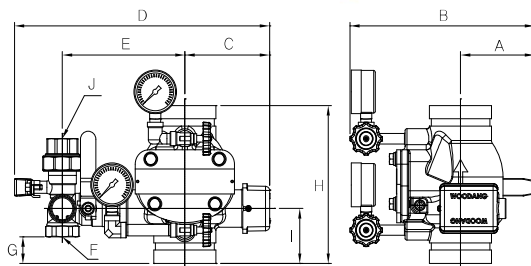
- It utilizes grooved joints for connecting which allows convenient installation, and it also has great vibration resistance and convenient maintenance capabilities.
- It detects the movement of running water and sends a signal allowing accurate detection.
- Test valve, sight glass can be added to the drain valve as options significantly reducing the installation cost.
- Drain valve L/R type can be selected according to the pipe structure of the site.
- Application of Korean high-strength casted steel (GCD 450) ensures greater durability.
- Weight reduction allows easy handling.

Model Number	AVAG1 065~150	
Title Standard	1.0MPa (65A ~ 150A)	1.6MPa (65A ~ 150A)
Working Pressure Range	0.15 ~ 1.4MPa	0.15 ~ 2.1MPa
Operation Method	Clapper Swing	
Connection Standard	KS B 1507 Grooved Joint	
Applicable Liquid	Water	
Material	Body (GCD450 Ductile Cast)	
	Ductile Cast (GCD 450/NBR)	

Drain Valve Option

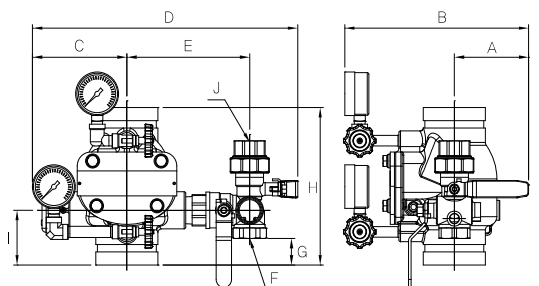


LEFT TYPE



Model Number	A	B	C	D	E	F(DRAIN)	G	H	I	Pressure Loss	Drain Valve
AVAG1065	52	189	116	330	121	25A	26	190	66	16,5 kPa	C TYPE
AVAG1080	59,5	204	124	345	128	25A	26	190	66	13,6 kPa	
AVAG1100	68	220	130	358	135	25A	32	210	72	14,5 kPa	
AVAG1125	82	254	143	394	158	25A	41	240	80,5	12,7 kPa	
AVAG1150	83	255	143	394	158	25A	68	260	80,5	16,4 kPa	

RIGHT TYPE



Model Number	A	B	C	D	E	F(DRAIN)	G	H	I	Pressure Loss	Drain Valve
AVAG1065	52	189	116	330	121	25A	26	190	66	16,5 kPa	C TYPE
AVAG1080	59,5	204	124	345	128	25A	26	190	66	13,6 kPa	
AVAG1100	68	220	130	358	135	25A	32	210	72	14,5 kPa	
AVAG1125	82	254	143	394	158	25A	41	240	80,5	12,7 kPa	
AVAG1150	83	255	143	394	158	25A	68	260	80,5	16,4 kPa	

Model Number	A	B	C	D	E	F(DRAIN)	G	H	I	Pressure Loss	Drain Valve
AVAG1065	91	228	116	327	153	25A	32	190	66	16,5 kPa	U, L TYPE
AVAG1080	91	236	124	342	160	25A	32	190	66	13,6 kPa	
AVAG1100	91	243	130	355	167	25A	38	210	72	14,5 kPa	
AVAG1125	91	263	143	381	180	25A	47	240	80,5	12,7 kPa	
AVAG1150	91	263	143	381	180	25A	68	260	80,5	16,4 kPa	

Model Number	A	B	C	D	E	F(DRAIN)	G	H	I	Pressure Loss	Drain Valve
AVAG1065	91	228	116	327	153	25A	32	190	66	16,5 kPa	U, L TYPE
AVAG1080	91	236	124	342	160	25A	32	190	66	13,6 kPa	
AVAG1100	91	243	130	355	167	25A	38	210	72	14,5 kPa	
AVAG1125	91	263	143	381	180	25A	47	240	80,5	12,7 kPa	
AVAG1150	91	263	143	381	180	25A	68	260	80,5	16,4 kPa	

ALARM VALVE

GROOVED TYPE

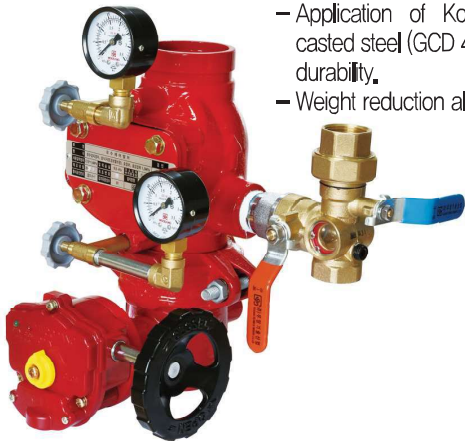
BUTTERFLY ALARM VALVE

Automatic Alarm Valve + Open/Close Display Type Valve (Gear Type AVAJ1)

/Korea Fire Institute inspection goods

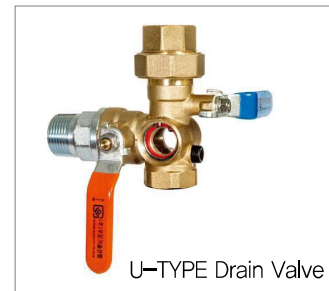
Product Feature

- It is able to reduce the material cost and installation cost such as pipes for short tubes and flanges.
- It is easy to install compared to flange types, and it has high economic feasibility.
- It is capable of effectively absorbing pipe changes due to stress generated within the pipe such as shrinking, expanding, vibrating, external force and bending.
- It features a tamper switch that creates electric signals according to the opening and closing of valves to allow convenient maintenance.
- It has minimum pressure loss with flow passage taking up 60% of the total surface area.
- As the valve is operated by gears, it is able to prevent disc dislocation due to water hammering within the pipe.
- Application of Korean high-strength casted steel (GCD 450) ensures greater durability.
- Weight reduction allows easy handling.

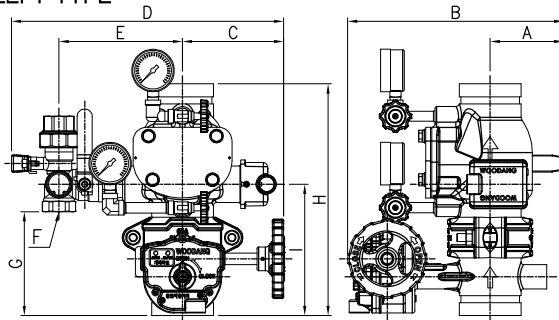


Model Number		AVAJ1 065~150	
Title Standard	1.0MPa (65A ~ 150A)	1.6MPa (65A ~ 150A)	
Working Pressure Range	0.15 ~ 1.4MPa	0.15 ~ 2.1MPa	
Operation Method	Clapper Swing		
Connection Standard	KS B 1507 Grooved Joint		
Applicable Liquid	Water		
Material	Classification	Alarm Valve	Butterfly Valve
	Body	Body (GCD450 Ductile Cast)	
	Disc	GCD 450	
	Sheet	NBR	

Drain Valve Option



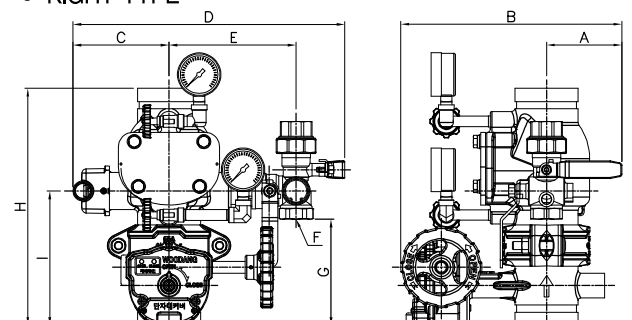
● LEFT TYPE



Model Number	A	B	C	D	E	F(DRAIN)	G	H	I	Drain Valve
AVAJ1065	70	246	125	339	121	25A	122	286	162,4	C TYPE
AVAJ1080	77	260	125	346	128	25A	122	286	162,4	
AVAJ1100	86	292	130	358	135	25A	147	325	187	
AVAJ1125	122	336	143	394	158	25A	166	365	205,5	
AVAJ1150	135	361	143	394	158	25A	210	408	249,6	

Model Number	A	B	C	D	E	F(DRAIN)	G	H	I	Drain Valve
AVAJ1065	91	267	125	336	153	25A	128	286	162,4	U, L TYPE
AVAJ1080	91	274	125	344	160	25A	128	286	162,4	
AVAJ1100	91	297	130	355	167	25A	153	325	187	
AVAJ1125	122	336	143	381	180	25A	172	365	205,5	
AVAJ1150	135	361	143	381	180	25A	216	408	249,6	

● RIGHT TYPE



Model Number	A	B	C	D	E	F(DRAIN)	G	H	I	Drain Valve
AVAJ1065	70	246	116	339	121	25A	122	286	162,4	C TYPE
AVAJ1080	77	260	124	346	128	25A	122	286	162,4	
AVAJ1100	86	292	130	358	135	25A	147	325	187	
AVAJ1125	122	336	143	394	158	25A	166	365	205,5	
AVAJ1150	135	361	143	394	158	25A	210	408	249,6	

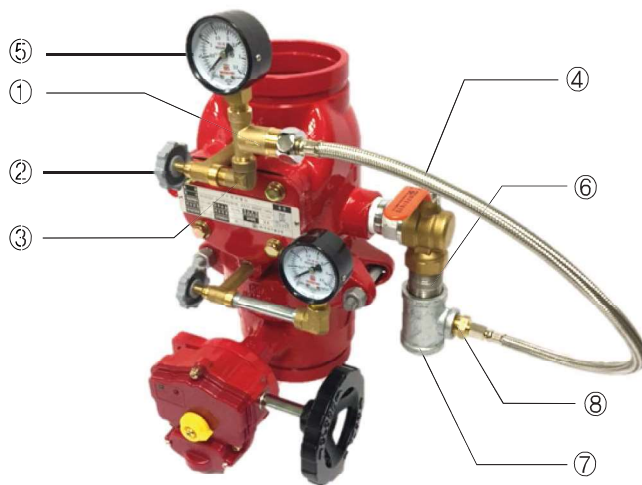
Model Number	A	B	C	D	E	F(DRAIN)	G	H	I	Drain Valve
AVAJ1065	91	267	116	336	153	25A	128	286	162,4	U, L TYPE
AVAJ1080	91	274	124	344	160	25A	128	286	162,4	
AVAJ1100	91	297	130	355	167	25A	153	325	187	
AVAJ1125	122	336	143	381	180	25A	172	365	205,5	
AVAJ1150	135	361	143	381	180	25A	216	408	249,6	

※ 16K Specification: 65A-150A (inquire separately)

OVER PRESSURE PREVENTION RELIEF VALVE MOUNTING WITH ALARM VALVE

Product Feature

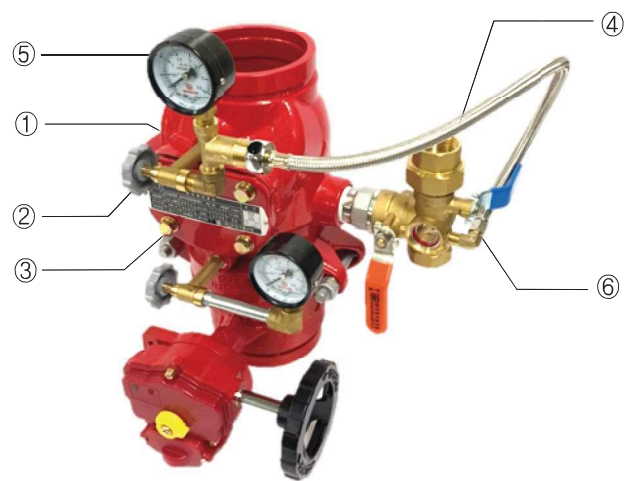
- The overpressure discharge device is installed on the secondary side of the alarm valve to adjust the pressure generated by the pump to the set pressure.
- Default Set Pressure : 1.1 MPa \pm 0.1



C-TYPE Drain Valve

Discharge Type-7, Discharge Type-8

- ① Overpressure Discharge Device
- ② Needle Valve (secondary)
- ③ Service Elbow (8A)
- ④ Connecting Hose
- ⑤ Pressure Meter (secondary)
- ⑥ Short Nipple
- ⑦ T-Pipe
- ⑧ Flare Nipple



U-TYPE Drain Valve

Discharge Type-6

- ① Overpressure Discharge Device
- ② Needle Valve (secondary)
- ③ Service Elbow (8A)
- ④ Connecting Hose
- ⑤ Pressure Meter (secondary)
- ⑥ Flare Elbow

Setting Procedure

1. Connect ③, ①, ⑤ in sequential order to ② needle valve.
2. Connect ⑥, ⑦ to the bottom of the drain valve.
 - ※ In case of U-Type, connect ⑥ to drain valve side.
3. Connect ① and ⑧ using the ④ connecting hose.
 - ※ In case of U-Type, connect ① and ⑥ using the ④ connecting hose.
4. Open the ② needle valve by turning it clock-wise to complete the setting.

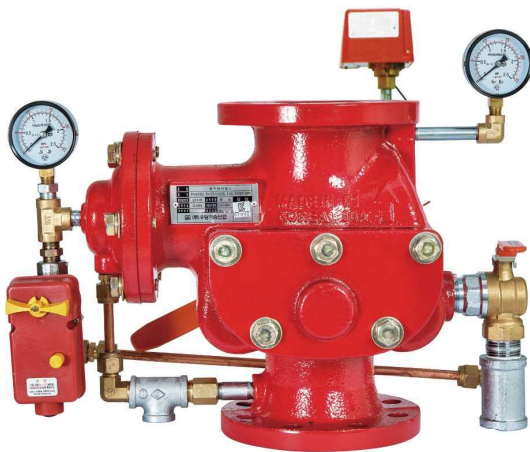
OPEN TYPE

PRE-ACTION VALVE AVPV1 / AVPV2 / AVPG1

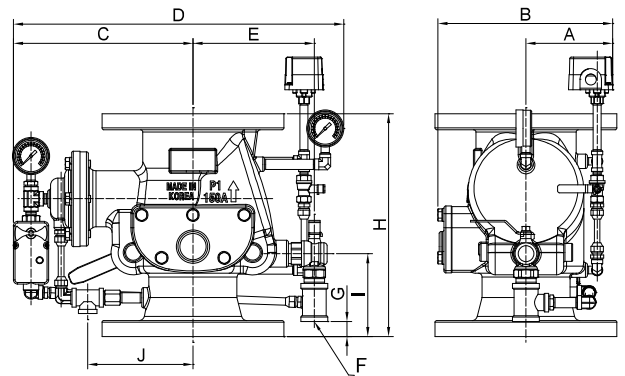
/Korea Fire Institute inspection goods

Product Feature

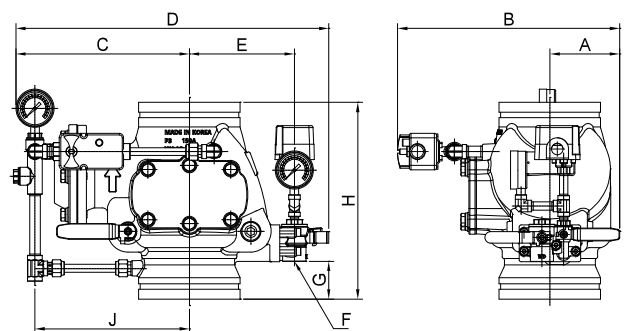
- The assembly structure prevents malfunctions by absorbing water and pressure shocks, and has excellent air tightness.
- The electric ball valve is a multifunctional valve capable of electrically opening the valve according to an automatic fire detector and manually opening the valve during emergencies. It offers convenient operation by concentrating operating parts used for opening the body into a single location.
- It is built as a clapper swing type structure which features minimized internal friction losses.



AVPV1 / AVPV2



AVPG1



Model Number	AVPV1080~150	AVPV2100, 150	AVPG1080~150
Title Standard	1MPa-80A~150A	1.6MPa-100, 150A	1MPa-80A~150A
Working Pressure Range	0,15 ~ 1,4MPa	0,15 ~ 2,2MPa	0,15 ~ 1,4MPa
Operation Method	KS B 1511 10K FF Flange	KS B 1511 16K FF Flange	KS B 1507 Grooved Joint
Connection Standard	Clapper Swing		
Applicable Liquid	Water		
Material	Body, Clapper (GCD450 Ductile Cast) Diaphragm/Sheet (NBR)		

Model Number	A	B	C	D	E	F(DRAIN)	G	H	I	J	Pressure Loss
AVPV1080	155	266	276	466	166	25A	9	304	123	147	14,4 kPa
AVPV1100	155	266	276	466	166	25A	9	304	123	147	14,2 kPa
AVPV1500	146	294	302	554	204	25A	25	374	139	172	4,6 kPa
AVPV2100	155	268	276	466	166	25A	9	304	123	147	14,2 kPa
AVPV2150	146	305	302	554	204	25A	25	374	139	221	4,6 kPa
AVPG1080	114	327	227	412	131	25A	37,5	240	-	196	19,0 kPa
AVPG1100	114	327	238	434	141	25A	42,5	260	-	207	20,3 kPa
AVPG1150	114	362	283	510	178	25A	61,5	320	-	252	14,5 kPa

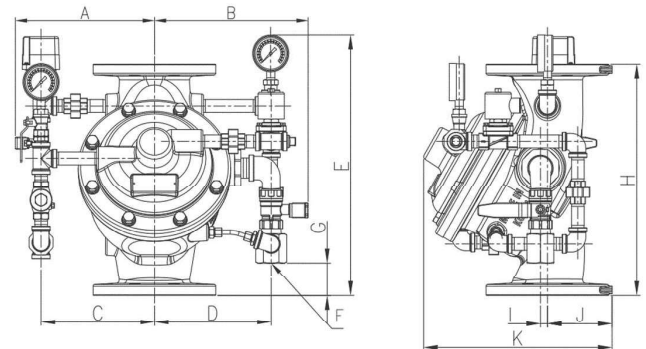
OPEN-CLOSE TYPE

DELUGE VALVE (FLANGED) AVDV1 / AVDM1

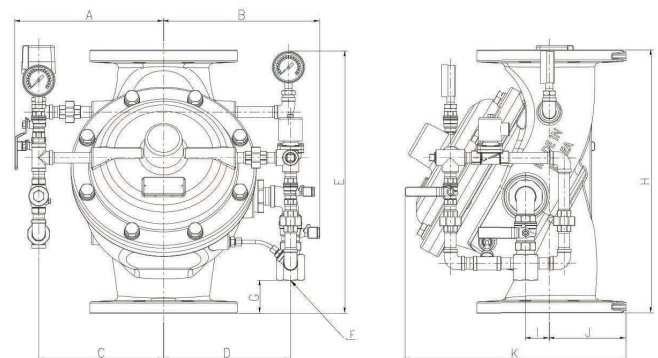
/Korea Fire Institute inspection goods

Product Feature

- The assembly structure utilizes tightening the seat packing to the cylinder, which provides better maintenance capabilities and air tightness, and compared to conventional seat ring molds, it has no risk of breaking the packing.
- As it is a cylinder type, and the pressure loss due to internal valve interference is minimal during fire extinguishing.
- It features a solenoid valve which allow the administrator to activate the automatic recovery after fire extinguishing.



D2 10K



D2 16K

Title Standard	1.0 MPa / 1.6 MPa – 80A, 100A, 150A
Working Pressure Range	1.0 MPa – 0.15 ~ 1.4 MPa 1.6 MPa – 0.15 ~ 2.2 MPa
Connection Standard	Diaphragm Method
Applicable Liquid	Water
Material	Body, Cylinder (GCD450 Ductile Casting)
	Seat Ring(CAC 406 Bronze Casting)
	Diaphragm/Sheet(NBR)

D2 16K (KS / FF)												
Model Number	A	B	C	D	E	F(DRAIN)	G	H	I	J	K	pressure loss
AVDV160803Z20200A	245	250	200	185	425	32A	4	350	15	105	340	17,2 kPa
AVDV160803Z20220A	245	245	200	185	425	25A	2	350	15	105	340	
AVDV161003Z20200A	260	282	210	205	447	50A	4	390	12	118	361	20,3 kPa
AVDV161003Z20220A	250	258	200	198	447	25A	46	390	12	118	361	
AVDV161503Z20200A	285	326	237	250	510	50A	9	500	45	156	432	20,5 kPa
AVDV161503Z20220A	285	290	237	241	510	25A	51	500	45	156	432	

D2 10K (KS / FF)												
Model Number	A	B	C	D	E	F(DRAIN)	G	H	I	J	K	pressure loss
AVDV100803Z20220A	243	239	200	183	411	25A	13,5	350	15	100	333	17,2 kPa
AVDV101003Z20220A	245	255	200	200	436		58	390	12	111	353	20,3 kPa
AVDV101503Z20220A	282	297	237	241	500		65	500	45	145	421	20,5 kPa

DELUGE VALVE

OPEN-CLOSE TYPE

DELUGE VALVE (GROOVED)

Product Feature

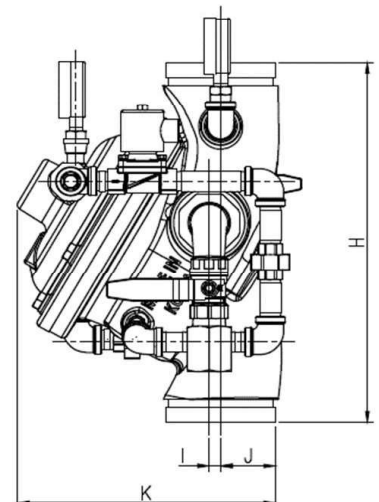
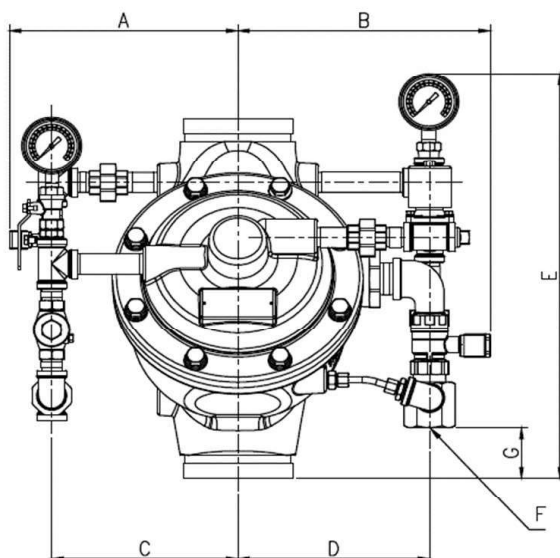
- The valve can be opened and closed automatically, so maintenance is convenient, and the groove type is easy to install.



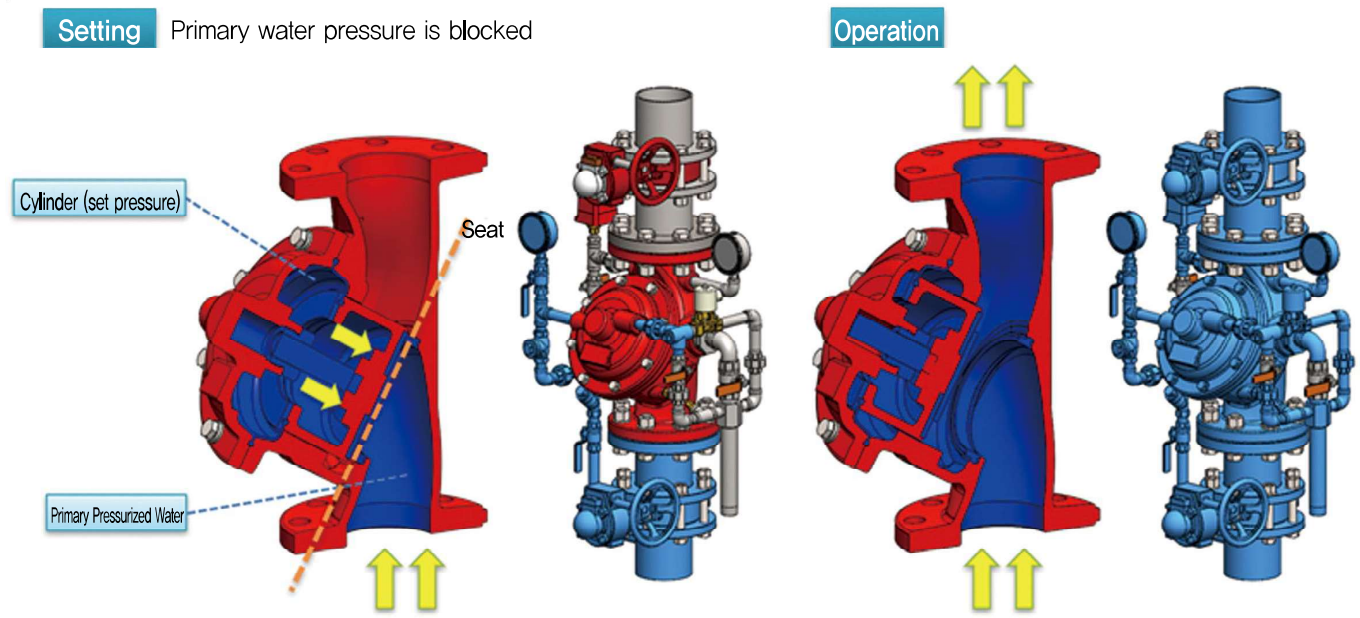
Title Standard		1,0MPa-100A	1,6MPa-100A
Working Pressure Range		0,15MPa~1,4MPa	0,15MPa~2,2MPa
Connection Standard		KS B 1507 GROOVE	
Operation Method		Cylinder Method	
Material	Body	GCD 450	
	Cylinder		
	Diaphragm	NBR	

Model Number	A	B	C	D	E	F(DRAIN)	G	H	I	J	K
AVDG100803220240A	240	225	200	185	415	25A	11	350	15	45	238
AVDG101003220240A	240	265	195	200	440	25A	55	390	12	58	270
AVDG161003220240A	240	265	195	200	440	25A	55	390	12	58	270
AVDG101503220540A	285	285	240	245	505	25A	60	500	45	85	355

※ This product is currently under development.



● Product Interior Flow

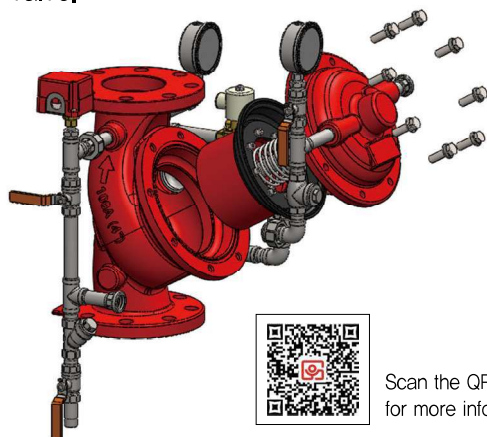


● Automatic Recovery Function

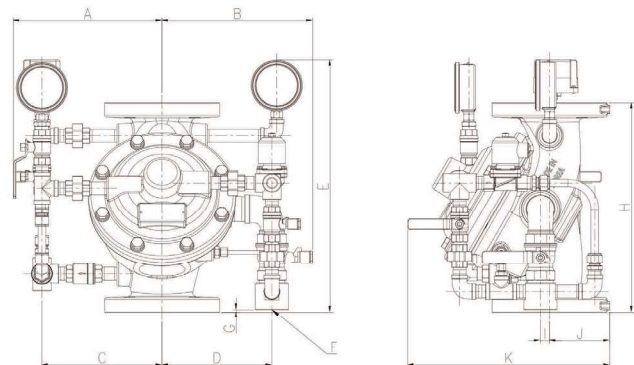
Closing the solenoid valve in the disaster prevention room after fire extinguishing will automatically recover the valve.

● Convenience Maintenance

Key components can be replaced conveniently by removing the front cover without completely releasing the valve.



Scan the QR code on the product for more information,



D2 ANSI

D2 Explosion Proof Type(ANSI / FF)												
Model Number	A	B	C	D	E	F(DRAIN)	G	H	I	J	K	pressure loss
AVDM100802Y20200A	272	250	200	182	482	32A	4	350	15	100	335	17,2 kPa
AVDM101002Y20200A	280	282	206	205	507	50A	4	390	12	120	363	20,3 kPa
AVDM101502Y20200A	322	325	250	250	570	50A	10	500	45	145	421	20,5 kPa
AVDM102002Y20200A	370	352	296	276	644	50A	50	620	70	177	510	19,1 kPa
D2 Non-explosion Proof Type(ANSI / FF)												
Model Number	A	B	C	D	E	F(DRAIN)	G	H	I	J	K	pressure loss
AVDM100801Y20200A	247	250	200	182	422	32A	4	350	15	100	335	17,2 kPa
AVDM101001Y20200A	255	282	206	205	445	50A	4	390	12	120	363	20,3 kPa
AVDM101501Y20200A	300	325	250	250	510	50A	10	500	45	145	421	20,5 kPa
AVDM102001Y20200A	343	352	296	276	620	50A	50	620	70	177	510	19,1 kPa

FLEXIBLE SPRINKLER HOSE WITH FITTING

SP JOINT

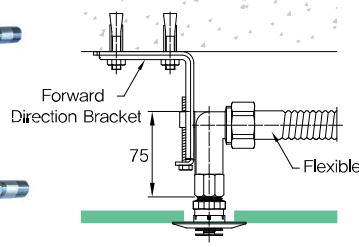
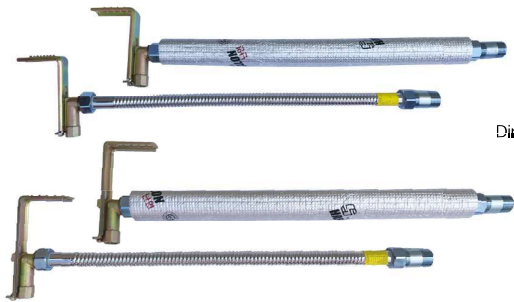
SP-JOINT can be easily adjusted to fit ceilings and sprinkler heads, making the installation process quick and simple, while reducing the installation cost. It is also easy and convenient to work even in limited ceiling spaces.

ELBOW TYPE (APARTMENTS)

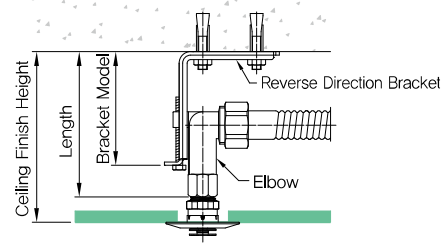
/Korea Fire Institute inspection goods

Product Feature

- It is classified according to the direction according to the bracket shape (forward/reverse direction), and it features various bracket models according to ceiling finish height allowing easy installation.



Forward Direction Bracket : Opposite direction to flexible



Reverse Direction Bracket: Same direction as flexible

Specification

Model Name	AJJAS0500	AJJAS0700	AJJAS0800	AJJAS0900	AJJAS1000	AJJAS1200	AJJAS1500	AJJAS1800	AJJAS2100	AJJAS2300	AJJAS2500	AJJAS2800	AJJAS3000
Length (mm)	500	700	800	900	1000	1200	1500	1800	2100	2300	2500	2800	3000
Nut To Nut(mm)	430	630	730	830	930	1130	1430	1730	2030	2230	2430	2730	2930

※ In possession of type approval for pipe welding type

APT bracket height

No.		1	2	3	4	5	6	7	8	9	10	11	12	13	14
Bracket Length(L)		80	110	120	130	140	150	170	180	200	210	240	260	270	300
Ceiling Finish Height(mm)	Min	110	140	150	160	170	180	200	210	230	240	270	290	300	330
	Max	160	190	200	210	220	230	250	260	280	290	320	340	350	380

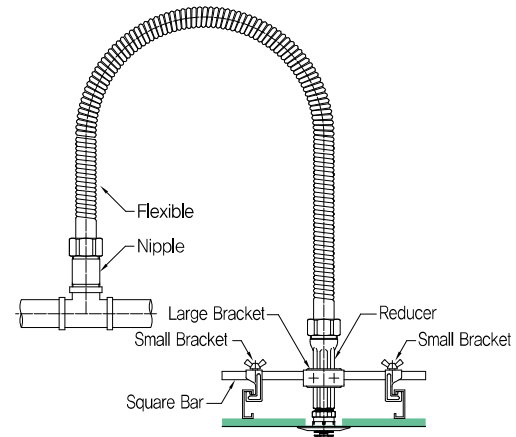
※ Check before Ordering : ① Bracket Length ② Bracket Direction ③ Ceiling Finish Height ④ Nipple Type

STRAIGHT REDUCER TYPE (COMMERCIAL)

/Korea Fire Institute inspection goods

Product Feature

- It is a hook type large bracket, allowing easy installation and ensuring rigidity.



Specification

Model Name	AJJS0500	AJJS0700	AJJS0800	AJJS0900	AJJS1000	AJJS1200	AJJS1500	AJJS1800	AJJS2100	AJJS2300	AJJS2500	AJJS2800	AJJS3000
Length (mm)	500	700	800	900	1000	1200	1500	1800	2100	2300	2500	2800	3000
Nut To Nut(mm)	350	550	650	750	850	1050	1350	1650	1950	2150	2350	2650	2850

※ In possession of type approval for pipe welding type

Regular Components

• Reducer



PF1"(M)*PT1/2"(F)

• Large Bracket



• Small Bracket



• Square Bar



Nipples

• Screw Pipes



PF1"(M)*PT1"(M)

Used to connect PT screws for piping

• Welded Pipes



PF1"(M)

Used for pipe welding

• Connection Standard



PF1"(M)*PF1"(M)

Used to connect Flexible Joints

Other Components

• Elbow



PF1"(M)*PT1/2"(F)

• Adapter



PF1"(M)*PT1"(F)

Used to connect dry pendants

Parts

Parts Name	Material (Finish)	Mall	Apartment	Parts Name	Material (Finish)	Mall	Apartment
Flexible Pipe	STS 304 (0.3t)	○	○	Large Bracket	SPPS (galvanized)	○	
Nut	SM 20C (galvanized), STS 304, C3771BE	○	○	Small Bracket	SPPS (galvanized)	○	
Insulation Ring	NYLON 66	○	○	Square Bar	SS41 (galvanized)	○	
Packing	EPDM	○	○	Elbow	SM 20C (galvanized), C3771BE		○
Reducer	SPPS (galvanized)	○		Forward Direction Bracket	SPCC PO (galvanized)		○
Nipple	SPPS (Nickel coat), C3771BE	○	○	Reverse Direction Bracket	SPCC PO (galvanized)		○

FCU HYBRID VALVE

PVC COMPOSITE VALVE

It has flow control function that limits the maximum flow rate of cold/hot water supplied to the FCU according to the operating conditions, has constant flow function that compensates for the flow changes by automatically adjusting the valve differential pressure changes in the supply–refund line, and has an automatic regulation function controlled by the actuator which receives signals from the FCU.

FCU HYBRID VALVE



FV-020A



FV-020A with Insulation



FV-020C (AC 24V)
FV-020D (AC 220V)



FV-020C with Insulation
FV-020D with Insulation

Model Name	FV-020A20L	FV-025A30L	FV-020C20L	FV-025C30L	FV-020D20L	FV-025CD30L
Title Standard	20A	25A	20A	25A	20A	25A
Operating Voltage	DC 24V		AC 24V		AC 220V	
Exterior Dimensions (W×D×H)	91×65×137 (mm)	96×65×141 (mm)	119×56×160 (mm)	124×56×160 (mm)	119×56×160 (mm)	124×56×160 (mm)
Flow Control Range	4 ~ 22LPM	5 ~ 34LPM	4 ~ 22LPM	5 ~ 34LPM	4 ~ 22LPM	5 ~ 34LPM
Connection Standard	Inlet/Outlet : 20A [PT 3/4"(female) / PF 1"(male)], 25A [PT 1"(female) / PF 1¼"(male)]					
Material (body)	C3771BE + Ni-Cr Coating					
Applicable Liquid	Cold / Hot Water					
Liquid Temperature	5°C ~ 85°C (Cold/Hot Water)					
Operation Pressure	Max. 10 kgf/cm ²					
Differential Pressure Range	0.4 ~ 2.0 kgf/cm ²					
Accuracy	±5% of set flow					

● Usage & Features

- It is used as the automatic sprinkler valve for the FCU (Fan Coil Unit) of heating and cooling systems.
- It provides a constant flow regardless of differential pressure change variation in the system (within the differential pressure range).
- It features both female (PT) and male (PF) bolts allowing installation in various environments.
- It can be used as a constant flow valve when the actuator is disconnected, and it can be used as a hybrid valve when the actuator is connected.
- It features a strainer within the valve which prevents valve failure due to foreign substances.
- It utilizes diaphragm actuation which has longer product life, low flow deviation and low noise levels compared to cartridge types.

※ Insulation must be purchased separately.

FIRE EXTINGUISHER

extinguisher

Portable Type

/Korea Fire Institute inspection goods



3.3kg
INCOME(FIC)



1.5kg
DOMESTIC(CW)



2.5kg
DOMESTIC(CW)



3.3kg
DOMESTIC(CW)

ITEM	CAPACITY UNIT	GAS WEIGHT	TOTAL WEIGHT	RADIATION TIME	RADIATION DISTANCE
INCOME	A3B4C	3.3kg	5.1kg	10~12 seconds	4~5m
DOMESTIC	A2B3C	1.5kg	2.6kg	10~12 seconds	4~5m
	A2B4C	2.5kg	4.1kg	10~12 seconds	4~5m
	A3B5C	3.3kg	5.0kg	10~12 seconds	4~5m

Trolley Type

/Korea Fire Institute inspection goods

ITEM	Spec.
MAKER	DOMESTIC
CAPACITY UNIT	A10B20C
GAS WEIGHT	20kg
TOTAL WEIGHT	36kg
RADIATION TIME	33 seconds
RADIATION DISTANCE	5~6m
SIZE	250mm x 658mm



OTHERS

INDOOR FIRE HYDRANT WATER DISCHARGE OUTLET ABIH1



/Korea Fire Institute inspection goods

Model Number	ABIH1040	ABIH1065
Title Standard	40A	65A
Connection Standard(Inlet/Outlet)	PT 1½" / FE 40	PT 2½" / FE 65
Test Pressure	2,0MPa	
Material	Body, Cover BC 1 (Brass)	

SIGHT GLASS ABSG1



Model Number	ABSG1025	ABSG1025
Connection Standard	PT 1"(25A) – Male Bolt	PT 1"(25A) – Male Bolt
Orifice Diameter	Ø11,3	Ø11,3
Overall Length	116mm	99,5mm
Material	SS400 (galvanized)	SS400 (galvanized)

AUTO DRIP VALVE ABAD1



Model Number	ABAD1020	
Title Standard	20A	
Applicable Liquid	Water	
Set Pressure	0,07MPa	
Applicable Liquid	Water	
Material	Body	C3771BE
	Sheet	Brass / NBR
	Spring	STS 304
Connection Standard	Female PT ¾"(20A) / Female PT 1"(25A)	

GROOVED JOINT



Title Standard	65A	80A	100A	125A	150A
KFI Certificate Number	UL				
Pressure	1,6MPa				
Operation Pressure	0,15 ~ 2,2MPa				
Type	Flow Type Coupling				
Material	Joint		Ductile (GCD450)	Gasket (Packing)	
	Rubber (EPDM)				
Bolt & Nut	M10 x 55L		M12 x 70L		M12 x 75L

INDICATOR/TAMPER SWITCH WITH MOUNTING



Title Standard	65A	80A	100A
KFI Certificate Number	개별15-2-2		
Pressure	1,0MPa		
Operation Pressure	0,15 ~ 1,4MPa		
Type	Semi-Grooved Type		
Material	Body	GCD 450	
	Disc	GCD 450	
	Rubber	NBR	

Korea Fire Institute Performance Certification



Title Standard	65A	80A	100A	125A	150A
KFI Certificate Number	개별15-3-2 / 개별18-15				
Pressure	1,0MPa / 1,6MPa				
Operation Pressure	0,15 ~ 1,4MPa / 0,15 ~ 2,2MPa				
Type	Grooved Type				
Material	Body	GCD 450			
	Disc	GCD 450			
	Rubber	NBR			

Korea Fire Institute Performance Certification

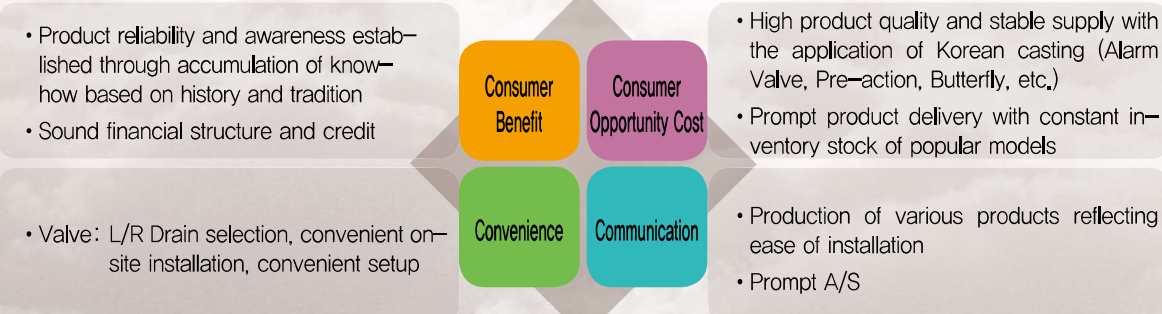
Bright Smiles of Families,

This is where **products of Woodang** that pursues perfection and the **spirit of safety first.**

History

- 1983** 04 Foundation of Woodang Construction Co., Ltd.
10 Relocation of HQ: 261-4 Yeomchang-dong, Gangseo-gu, Seoul
- 1990** 01 Acquisition of Manufacturing Permit for Fire Extinguishing Machine and Apparatus
- 1997** 07 Addition of New Business: Specialized Fire Fighting Facility Installation
09 Acquisition of ISO 9001 (ABS-QE) - [Manufacturing]
- 1998** 11 Renaming of Company: Woodang Technological Industries
Relocation of HQ: 661-15 Pungmu-dong, Gimpo-si, Gyeonggi-do
- 1999** 02 of Korea's 1st Automatic Opening/Closing Dry Pipe Valve (100A, 150A)
- 2001** 11 Designation as INNO-BIZ [No. 1061-0713]
- 2002** 01 Establishment of Affiliated Research Center (Korea Industrial Technology Association No. 20021073)
05 Acquisition of ISO9001 (ABS-QE) - [Manufacturing, Construction]
- 2003** 06 Designation as Industrial Family Company [No. 03-300] Kyeonggi Small and Medium Business Center
- 2006** 05 Inauguration of CEO (CHOI YEONGPYO)
- 2007** 07 Relocation of HQ: 483-1 Ilsan-ri, Mohyeon-myeon, Cheoin-gu, Yongin-si, Gyeonggi-do
10 Addition of Business: Independent Room Temperature Control System
- 2008** 02 Acquisition of Venture Company Certificate (No. 20080100807, Korea Technology Finance Corporation)
04 Acquisition of High Efficiency Energy Apparatus Certificate [Korea Energy Management Corporation]
- Automatic Temperature Controller for Heating (Proportional Control) No. 47
- Automatic Temperature Controller for Heating (Open/Close Type) No. 51
08 Designation as 2008 Promising Gyeonggi-do Small and Medium Business
- 2009** 12 Expansion of Capital: 800,000,000 KRW
- 2011** 08 Acquisition of High Efficiency Energy Apparatus Certificate (Automatic Temperature Controller for Heating (Open/Close Type) No. 51) [Korea Energy Management Corporation]
- 2012** 05 Acquisition of Group Standard Certificate (Hot Water Distribution System Proportional Control Type 05A) [Korea Association of Equipment Technology]
Acquisition of High Efficiency Energy Apparatus Certificate (Automatic Temperature Controller for Heating (Proportional Control Type) No. 83) [Korea Energy Management Corporation]
06 Acquisition of High Efficiency Energy Apparatus Certificate (Automatic Temperature Controller for Heating (Open/Close Type) No. 47) [Korea Energy Management Corporation]
- 2013** 10 Development of Fully Automatic Sprinkler Head Assembly System
- 2015** 06 Acquisition of High Efficiency Energy Apparatus Certificate (Automatic Temperature Controller for Heating (Proportional Control Type) No. 85) [Korea Energy Management Corporation]
- 2016** 04 Registration of Patent for Sprinkler Head Assembly with Length Adjustment Capability
- 2017** 03 Designation of Good Tax Payer of Yongin
07 Acquisition of Korea's 1st KFI Certificate for Grooved Joint for Fire Extinguishing
08 Acquisition of KS B6612 (Automatic Temperature Control System for Heating)
- 2019** 05 Registration of Patent for Side Wall Fusible
- 2020** 08 Acquisition of ISO 45001
12 Acquisition of KFCA
12 Inauguration of CEO (LEE SOOHWAN)
- 2021** 11 Participated in the Daegu International Fire & Safety Expo Korea
- 2022** 11 Awarded the National Fire Agency Award
- 2023** 12 Designation of Top Companies of Yongin

● 4C Analysis of Woodang Technological Industries





TKG WOODANG

TKG WOODANG CO.,LTD.

Head Office & Factory

17033

3-8, Oegaeil-ro 21beon-gil, Mohyeon-eup, Cheoin-gu,
Yongin-si, Gyeonggi-do, Republic of Korea

TEL : +82-31-336-9911 FAX : +82-507-555-0309

A/S Customer Center: +82-80-336-9911 (FREE TELEPHONE)

www.woodang.co.kr

E-mail : webmaster@woodang.co.kr